



ULTIMATE

EXPOSURE LIGHTS

# EXPSTEMQRBK ASSEMBLY GUIDE

DRAWING NOT TO SCALE  
ALL DIMENSIONS IN MM

INFORMATION CONTAINED IN THIS DRAWING IS THE PROPERTY OF USE-EXPOSURE  
ANY REPRODUCTION IN PART OR WHOLE WITHOUT THE WRITTEN PERMISSION OF USE-EXPOSURE IS PROHIBITED  
ULTIMATE SPORTS ENGINEERING RESERVE THE RIGHT TO CHANGE SPECIFICATIONS WITHOUT PRIOR NOTICE  
MORE INFORMATION AT [ULTIMATEUSE.COM](http://ULTIMATEUSE.COM)  
IF IN DOUBT ASK

## ASSEMBLY NOTES

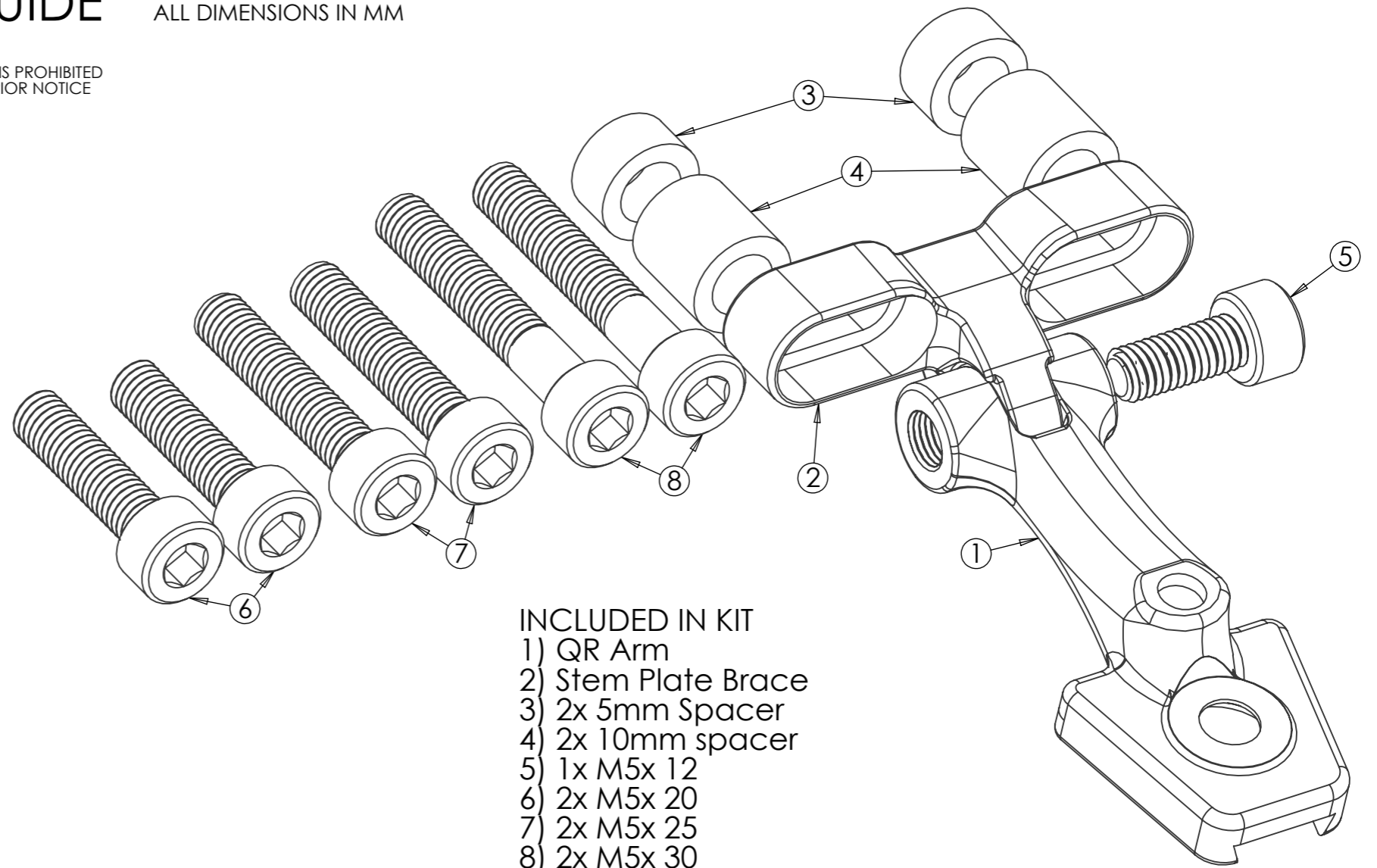
See Images for suggested assembly orientations depending on placement of light

Refer to Markings on Stem for Torque settings

Bolt ⑤ requires 5-8Nm and a light smear of grease bolt thread and head. Ensure there is no Grease on the flat mating faces.

Use the appropriate washer and bolt combination to keep the brace from touching the stem faceplate

Bolts need a minimum of 5mm thread overlap



### INCLUDED IN KIT

- 1) QR Arm
- 2) Stem Plate Brace
- 3) 2x 5mm Spacer
- 4) 2x 10mm spacer
- 5) 1x M5x 12
- 6) 2x M5x 20
- 7) 2x M5x 25
- 8) 2x M5x 30

