

Inspect and test your light and bracket apparatus before every ride.

Keep your light clean and free of dirt, be careful when cleaning any mud or dirt from lens to avoid scratching.

Never use a high pressure spray or hose on your light.

Do not use harsh abrasive or corrosive materials to clean your light.

For extended periods when your light is not in use fully recharge the light once a month, as a long duration with no charge is detrimental to the cells.

WARNING

⚠ Exposure Lights are very powerful lighting systems, please take care when operating. Do not look directly into the light or shine directly at others, including other road users.

Do not charge the light in an enclosed place, or with the lens in contact with potentially combustible material.

Exposure Lights / Ultimate Sports Engineering Ltd. accept no liability for any injuries or other damages arising from the use of their product in any circumstances.

NOTE: Patents apply.

WARRANTY & SERVICE - LIGHT FOR LIFE

Please do not send any products back to us without contacting our service team first to discuss your issue and for a valid returns number.

All our lights come with a 2 year warranty.

If you have a servicing or technical question you can contact us using the information below. If you return your light for repair, no work will be carried out until you have been contacted with the cost for the repair. If you are outside of the UK it would be quicker in the first instance to contact your local distributor.

+44 (0)1798 839300

service@use.group
 Ultimate Sports Engineering Ltd
 Unit 4 Bury Mill Farm
 Bury
 West Sussex
 RH20 1NN
 United Kingdom

#ownthenight

For more information please visit:
 exposurelights.com

MADE IN
 GREAT BRITAIN



CHARGING

Fully Charge your light **before** first use.

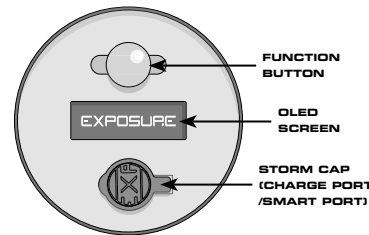
Locate the charging port by pulling away the silicone Storm Cap.

Fully insert either the Smart Charger or USB (slower to charge) top up cable and begin charging from a mains or USB supply respectively.

If you are using the Smart Charger the LED on the charger will go red for the first 95% and then go green for the trickle charge.

On the back of the light the OLED display screen will show the approximate charge level, once the light says '100%' leave it charging for a further hour. The percentage shown is most accurate when the light is in operation.

APPROX MAINS CHARGER TIMES	
SIX PACK	8 HRS
MAXX D	6 HRS
TORO	6 HRS
RACE	6 HRS
STRADA SB	6 HRS
STRADA RS	6 HRS



⚠ IMPORTANT:

- Ensure that after charging you remove the charge cable from the light before turning off the mains/ power source. Do not leave the lights plugged into the charger if the power source is turned off as this can result in the light switching on or remaining off but losing charge when not in use
- Replace the Storm Cap to prevent ingress of mud and grit
- Do not leave the light with the lens face down or in contact with any potentially combustible surface especially when charging
- Do not charge the light in an enclosed space

NOTE: If you are charging your light from when its battery level is very low you may see a code appear on the OLED screen resembling 'M00145'. This is a recalibration code and nothing to worry about.

Fast Chargers are designed to be used with the 2019/20 range of lights and whilst they will not cause any damage to the older lights they will not charge them much quicker. **Do not use these chargers with the 2015/16 range of lights** that feature the capacitive switch as they can cause the lights to turn on when charging.



Located on the back of the light is the stainless-steel Function Button, OLED display screen and two LEDs. The OLED screen and LEDs indicates both mode and battery life remaining.

To turn the light on press the stainless-steel Function Button twice in quick succession, the light will then turn on in the brightest mode.

To switch between high, medium and low modes press the stainless-steel Function Button once, repeat this process to cycle through the modes.

The LED on the back of the light will **initially** indicate the mode the light is in:

Green – High.

Amber – Medium.

Red – Low.

LED	BATTERY %
GREEN	100 – 50%
AMBER	50 – 25%
RED	25 – 5%
RED FLASH	5% – Empty

After three seconds the LED on the back of the light will indicate battery life remaining. See Fuel Gauge table (right).

The OLED screen will also display mode and battery life remaining in hours and minutes for more detail.

To turn the light off hold down the stainless-steel Function Button until the light emits two flashes and then release. The OLED screen will then display 'OFF'.

NOTE: If you are using an Exposure Support Cell with the light then the battery life displayed will not increase, but will count down more slowly.

Do not leave a Support Cell plugged into a light that is OFF as it can leach power from the light.

FLASH MODE

To activate the Flash Mode first the light needs to be ON. Hold the stainless-steel Function Button down and immediately release after the light emits a flash, the OLED display will then read 'FLASH'. The Flash mode can be activated from any of the constant brightness settings.

To return to the constant mode press the stainless-steel Function Button once. **NOTE:**The light will then return to the brightest setting.

In Program 10 for the Off Road lights and Program 5 for the Strada lights the Flash Mode is replaced with the Morse Code for SOS. For more information about changing programs see the OMS section of this guide.

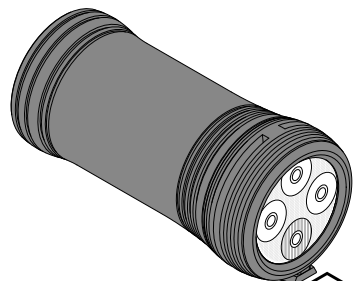
DAYBRIGHT (STRADA MODELS ONLY)



We recommend using your Strada in DayBright mode during daylight hours for your safety.

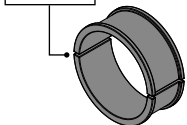
To activate DayBright your Strada will need to be in Program 1 (see OMS section) and then activate Flash Mode (see above).

HANDLEBAR MOUNTING



Locate the cleat into the 'V' section of the bracket and slide forward until the steel pin "clicks" into place.

31.8mm handlebar



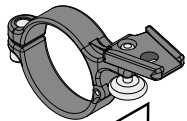
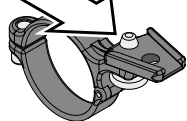
The handlebar bracket is designed for 35mm and 31.8mm handlebar diameters. For 35mm handlebars remove the black plastic shim.

To adjust the horizontal angle of the light, loosen the cleat bolt through the hole in the bracket as shown. Use an appropriately sized hex key key to adjust and tighten the bolt securely (Maximum **3Nm**).

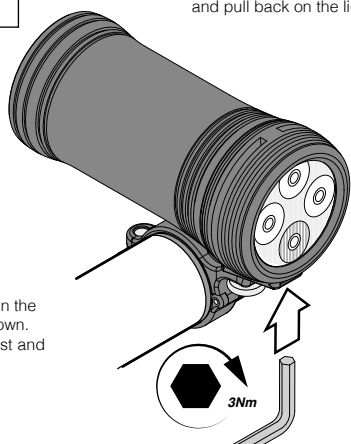
For ease of installation remove the light from the bracket. The bracket should be mounted as close to the stem as possible where the clamp is most effective.

If your bike has a 25.4mm diameter handlebar an appropriate bracket can be purchased from exposurelights.com.

Use a high quality 4mm hex key to tighten the bolt to **3Nm - Do not over-tighten.**



To **release the light** pull down on the red button and pull back on the light.



OPTIMISED MODE SELECTOR (OMS)



OMS allows you to select a burn time tailored to your needs from several programs. Burn time and lumen output are directly proportional, if you double the burn time, you halve the lumen output.

Etched onto the underside of the light is a table showing the different modes and burn times available within these different programs.

PROGRAM	SIX PACK / MAXX-D / TORO / RACE		
	MODE		
	HIGH	MEDIUM	LOW
1	Reflex 3 hrs	-	12 hrs
2	Reflex 6 hrs	-	18 hrs
3	Reflex 12 hrs	-	24 hrs
4	2 hrs	6 hrs	12 hrs
5	3 hrs	10 hrs	24 hrs
6	4 hrs	12 hrs	36 hrs
7	2 hrs	-	6 hrs
8	3 hrs	-	10 hrs
9	4 hrs	-	12 hrs
10	10 hrs	24 hrs	SOS

NOTE: This info is etched onto the body of the lights

PGM	H	M	L
1	-	R3	12
2	-	R6	18
3	-	R12	24
4	-	2	6
5	-	3	10
6	-	4	12
7	-	2	6
8	3	3	10
9	4	4	12
10	10	24	SOS

NOTE: This info is etched onto the body of the lights

PGM	H	M	L
1	-	2	6
2	-	3	10
3	-	4	12
4	-	2	6
5	-	3	10
6	-	4	12
7	-	10	24
			SOS

PROGRAM	STRADA SB / STRADA RS		
	MODE		
	HIGH	MEDIUM	LOW
1	2 hrs	6 hrs	12 hrs
2	3 hrs	10 hrs	24 hrs
3	4 hrs	12 hrs	36 hrs
4	2 hrs	-	6 hrs
5	3 hrs	-	10 hrs
6	4 hrs	-	12 hrs
7	10 hrs	24 hrs	SOS

To access the different programs, start with the light OFF.

Hold the stainless-steel Function Button down, the light will emit a set of flashes, keep the stainless-steel Function Button held down and the OLED screen on the back of the light will say 'PGM 1'.

To cycle through the different programs, click the stainless-steel Function Button until you reach your desired program and then release, the OLED screen on the back of the light will then display 'SET'.

For example, if you want to put your light in Program 4 then you release the stainless-steel Function Button after the OLED displays 'PGM 4'. The light will then remain in Program 4, regardless of if it is turned on or off, until it is reprogrammed.

REFLEX++ (OFF ROAD LIGHTS ONLY)



Reflex++ Technology uses thermistors, 3D gyros and 3D accelerometers built into the light to adapt brightness based upon air flow, gradient and cornering forces. The light will flare up for fast, rough descents and dim for slow climbing.

Reflex++ is found in the High Mode of Programs 1- 3 of the Off Road lights (see OMS section).

Reflex++ takes approximately 20 minutes of riding to calibrate to your style and then will remain in the lights memory, unless the riding conditions or style change.

After a period with no motion the light will dim to standby output to save battery life and will flare back up upon movement.

NOTE: Do not use Reflex+ when road riding as the light can flare up potentially dazzling other road users.

SMART PORT TECHNOLOGY+ (SPT+)



The Charge Port also functions as a 'Smart Port'.

SPT+ works as an output and allows the light to power ancillary Exposure accessories, such as the RedEye, whilst the light is on. SPT+ can also be used to turn your light into a power bank to charge your USB devices.

SPT+ will automatically activate when the light is on.

You can also use SPT+ when the light is off, but you will need to activate it. To activate SPT+ hold down the stainless-steel Function Button and immediately release when the light emits rapid flashes.

The OLED screen on the back of the light will then display 'SMART PORT ACTIVE'.

You can then charge your devices with the Exposure Boost Cables, which are available from your local Exposure dealer. However, please test your device before intended use as not all devices may be compatible.

To deactivate SPT+ simply turn the light on and off again.

NOTE: Ensure that SPT+ is deactivated before charging the light.

INTELLIGENT THERMAL MANAGEMENT (ITM)



Thermistors in the lights circuitry allow automatic temperature regulation, maintaining efficiency by minimising energy wasted as heat, to maximise brightness and burntime. This leads to a longer lifetime of the LEDs.